

# WM34EC



## FEATURES & BENEFITS

- » Meets or Exceeds the latest Revision of ISO4064 Standard
- » Sustained, High Accuracy Across Broad Flow Range
- » Extended warranty ensures Long life cycle (up to 20 years)
- » Flexible Installation Options
- » Service all meter components without removal from the line
- » Optional Smart AMI Integrated Register
- » User configured data reading intervals
- » Advanced Leaks Management
- » Alerts-Tamper, Theft, Zero Consumption, Damaged Meter
- » Cover Open indication

## WATER METER 1/2"-3/4"

### DN15~DN20

WM12MC-1/2" (Mechanical)  
WM34MC-3/4" (Mechanical)  
WM12EC-1/2" (AMI capability)  
WM34EC-3/4" (AMI capability)

## Multi-jet dry type vane wheel water meter

Turbine Multi-jet Super dry water meter for residential application in sizes 15 and 20 mm for cold meter.  
Powercom "Smart AMI" register enables a fixed AMM Network. A two way communication enables Automatic Meter Management and connectivity to the "Matmid" backbone servers.

### Features

- Magnetic drive, lower transmission resistance
- Magnetic shield, for external magnetic field protection
- Sealed dry dial register ensures clear reading
- Register can rotate less than 360° for easily reading in any position

### Standards Compliance

- ISO 4064 Class B for horizontal Installation

### Optical Features

- Several lengths and connections available on request
- Non return valve
- U.S. Gallon (USG) for selecting
- Can be equipped with reed switch option

### Working Conditions

- Water temperature:  $\leq 50^{\circ}\text{C}$
- Water pressure:  $\leq 1.6\text{ MPa}$

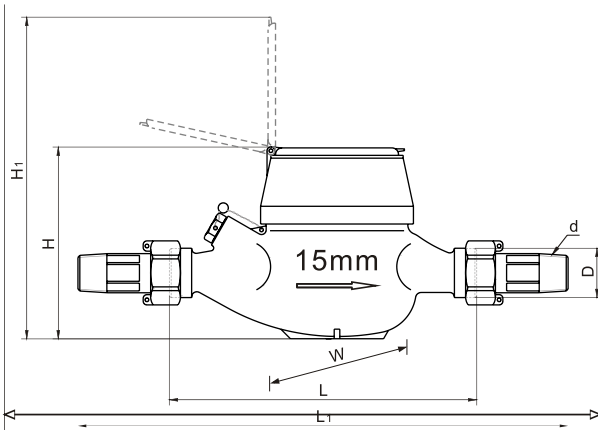
### Installation Requirements

- The meter should be installed in horizontal position with the register face upwards
- Pipeline must be flushed before installation
- The meter should be constantly full of water during operation



## Technical Characteristics

### Dimension Picture

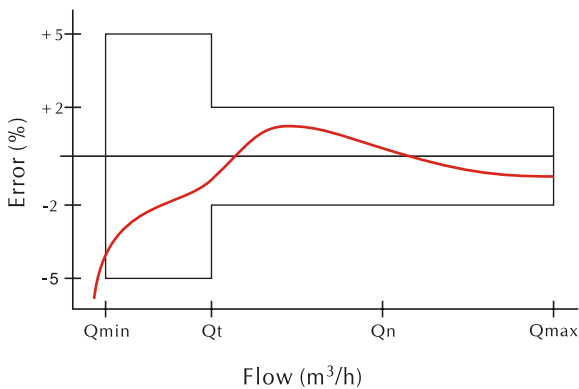


### Dimensions and Weights

Nominal diameter	DN	15	20
Body thread	D	G3/4B	G1B
Connector thread	d	R1/2	R3/4
Body length	mm	L	165
Overall length	mm	L <sub>1</sub>	263
Width	mm	W	82
Meter height	mm	H	103
Working height	mm	H <sub>1</sub>	172.5
Weight without connectors	Kg		1.04
Weight with connectors	Kg		1.436

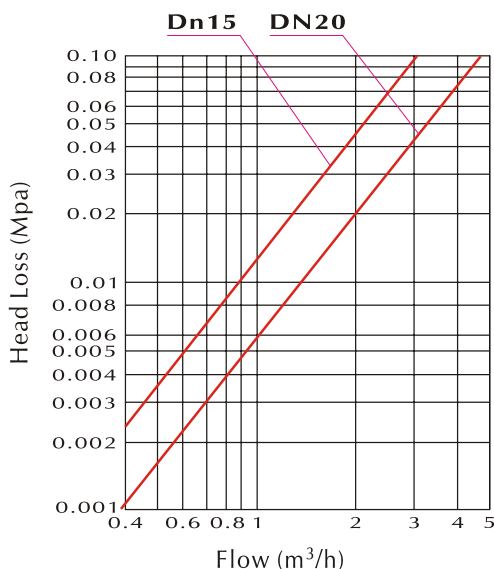
"L<sub>1</sub>" is the total length when coupling gaskets without compression.

### Accuracy Curve



Nominal diameter (DN)	Cold water		
	mm	15	20
	Inches	1/2"	3/4"
Maximum admissible temperature	°C	50	
Q <sub>min</sub> ±5%	L/h	30	50
Q <sub>t</sub> ±2%	L/h	120	200
Q <sub>n</sub> ±2%	m <sup>3</sup> /h	1.5	2.5
Q <sub>max</sub> ±2%	m <sup>3</sup> /h	3	5
Pressure loss group at Q <sub>max</sub>	bar	≤1	
Maximum admissible pressure	bar	16	
Testing pressure	bar	25	
Indicating range	m <sup>3</sup>	99999.99995	
Minimum scale interval	L	0.00005	

### Head Loss Curve



### Maximum Permissible Error (both class A and class B)

In the lower zone from Q<sub>min</sub> inclusive up to but excluding Q<sub>t</sub> is ±5% .  
In the upper zone from Q<sub>t</sub> inclusive up to and including Q<sub>max</sub> is ±2% .

### Installation request

The meter must be installed with the direction of the flow as indicated by the arrow cast in the meter body

### Manufacturing:

ISO 9001:2000 Quality system Certification

ISO 10012:2003 Measurement System Certification

ISO 14000:2004 Environmental Management System Certification.

