

WMIOEC



WATER METER 1"-1.5"

Multi-jet Dry Type Vane Wheel Water Meter With Rotary Register

DN15~DN50

- WM15MC-1.5" (Mechanical)
- WM10MC-1" (Mechanical)
- WM15EC-1.5" (AMI capability)
- WM10EC-1" (AMI capability)

Application

- Measuring the volume of cold potable water passing through the pipeline

Working Conditions

- Water temperature: $\leq 40^{\circ}\text{C}$
- Water pressure: $\leq 1.6\text{ MPa}$

Features

- With external regulating device
- Magnetic drive, lower transmission resistance
- Magnetic shield, for external magnetic field
- Sealed dry dial register ensures clear reading
- Register can rotate more than 360° for easily reading in any position
- Internal strainer
- Inlet strainer

Compliance with Standard

- Technical data conforms to ISO 4064 Class B Standard for horizontal installation

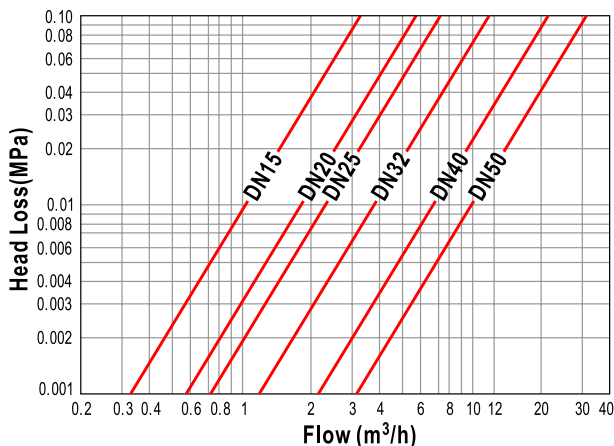
Options

- There are two versions DN50 meter body to choose: with threaded ends and with flanged ends
- Meter for hot water up to 90 is available
- Can be equipped with reed switch option

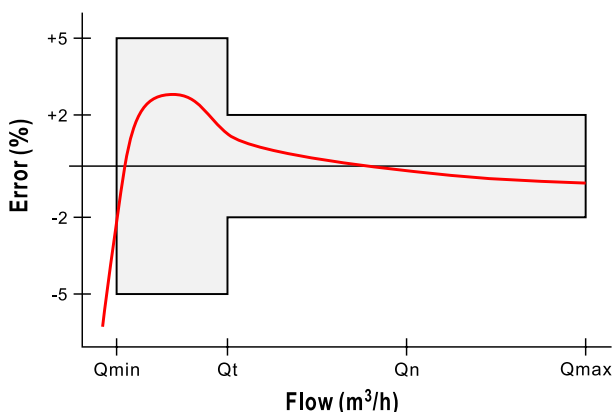
Installation Requirements

- The meter should be installed in horizontal position with the register face upwards
- Pipeline must be flushed before installation
- The meter should be constantly full of water during operation

Head Loss Curve



Accuracy Curve

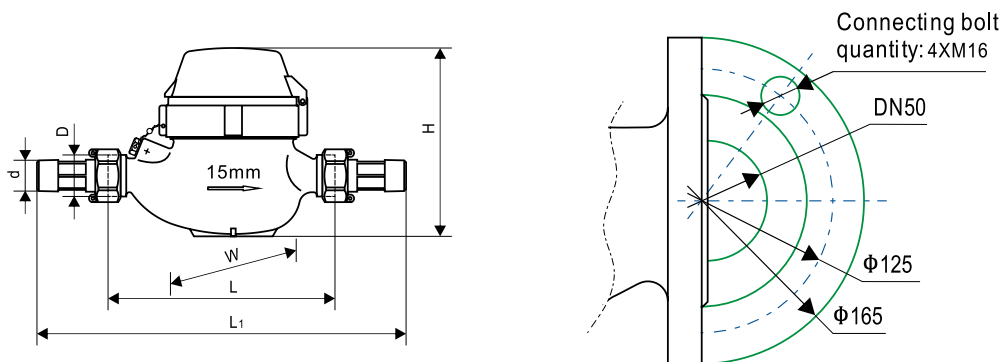


Main Technical Data

| Nominal diameter | DN | 15 | 20 | 25 | 32 | 40 | 50 | |
|----------------------|-------------------|------|-------------|-----|-----|-----|-------------|------|
| Maximum flow rate | m ³ /h | Qmax | 3.0 | 5.0 | 7.0 | 12 | 20.0 | 30.0 |
| Nominal flow rate | m ³ /h | Qn | 1.5 | 2.5 | 3.5 | 6.0 | 10.0 | 15.0 |
| Transition flow rate | l/h | Qt | 120 | 200 | 280 | 480 | 800 | 1200 |
| Minimum flow rate | l/h | Qmin | 30 | 50 | 70 | 120 | 200 | 300 |
| Maximum reading | m ³ | | 99999.99995 | | | | 999999.9995 | |
| Minimum reading | m ³ | | 0.00005 | | | | 0.0005 | |

- Maximum Permissible Error:
 In the lower zone from Qmin inclusive up to but excluding Qt is $\pm 5\%$
 In the upper zone from Qt inclusive up to and including Qmax is $\pm 2\%$ (cold potable water meter).
 In the upper zone from Qt inclusive up to and including Qmax is $\pm 3\%$ (hot water meter).

Dimension Picture



- Nominal diameter and arrow are indicated on the side of the meter body.
- Maximum flow rate and arrow is indicated on the other side.
- The lid can open more than 180°.

Dimensions and Weights

| Nominal diameter | DN | 15 | 20 | 25 | 32 | 40 | 50 | |
|---------------------------|----|-------|-----------|--------------------|--------------------|------------------|--------------------|------|
| Body thread | D | G3/4B | G1B | G1 $\frac{1}{4}$ B | G1 $\frac{1}{2}$ B | G2B | G2 $\frac{1}{2}$ B | |
| Connector thread | d | R1/2 | R3/4 | R1 | R1 $\frac{1}{4}$ | R1 $\frac{1}{2}$ | R2 | |
| Body length | mm | L | 145/165 | 190 | 225/260 | 230/260 | 245/300 | 300 |
| Overall length | mm | L1 | 239/259 | 294 | 345/380 | 354/384 | 376/431 | 448 |
| Width | mm | W | 94 | 94 | 99 | 99 | 122 | 145 |
| Meter height | mm | H | 117 | 117 | 117 | 117 | 150 | 180 |
| Weight without connectors | Kg | | 1.2/1.3 | 1.45 | 3.2/3.5 | 3.4/3.6 | 4.8/5.1 | 8.0 |
| Weight with connectors | Kg | | 1.38/1.48 | 1.73 | 3.72/4.02 | 4.2/4.4 | 5.84/6.14 | 9.72 |

- DN50(Flanged ends): 11.5 Kg.
- "L1" is the total length when coupling gaskets without compression.

