

WM20EC-40EC



REMOVABLE ELEMENT WOLTMAN WATER METER

- WM20MC-2" (Mechanical)
- WM30MC-3" (Mechanical)
- WM40MC-4" (Mechanical)
- WM20EC-2" (AMI capability)
- WM30EC-3" (AMI capability)
- WM40EC-4" (AMI capability)

Application

- For measurement of high flows of cold potable water passing through the pipeline

Working Conditions

- Water temperature: $\leq 40^{\circ}\text{C}$
- Water pressure: $\leq 1.6\text{ MPa}$

Features

- Magnetic drive, lower transmission resistance.
- Sealed dry dial register ensures clear reading.
- Register can rotate not more than 360° .
- The measuring mechanism can be removable from the body for checking, maintaining and replacing, and the body need not be dismantled from the pipe.
- Inter-exchangeable parts.
- Low pressure loss. Long working life.
- 50B~200B for hot water up to 90 is available
- Can be equipped with reed switch option (register can not rotate)

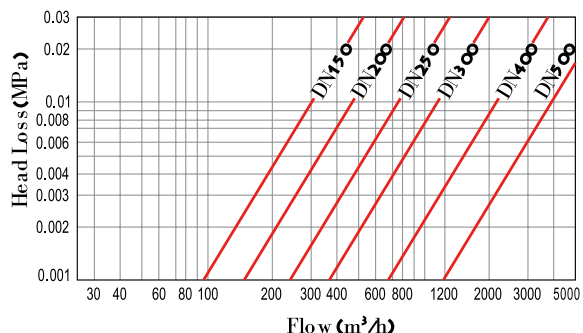
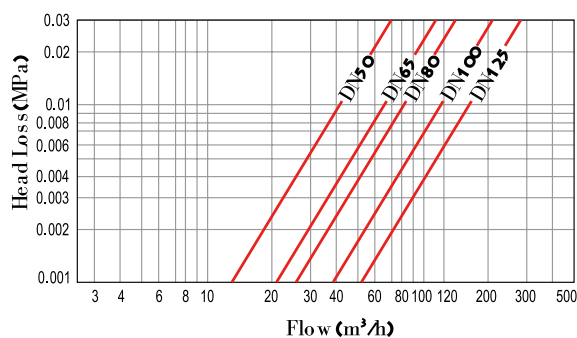
Compliance with Standard

- Technical data conforms to ISO 4064 Class B Standard

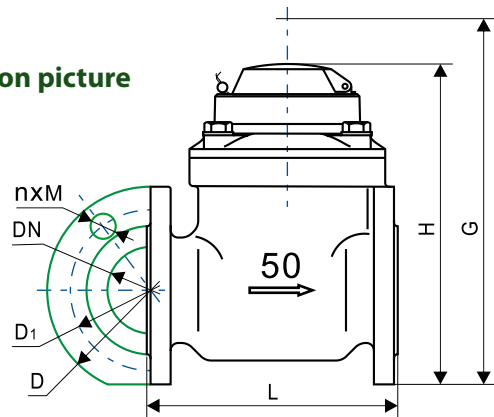
Installation Requirements

- The meter can be installed in horizontal, vertical or inclined position
- A horizontal position with the register face upwards is recommended
- Pipeline must be flushed before installation
- The meter must have 10 diameters straight pipe ahead of the meter and 5 diameters straight pipe after to

Head Loss Curve

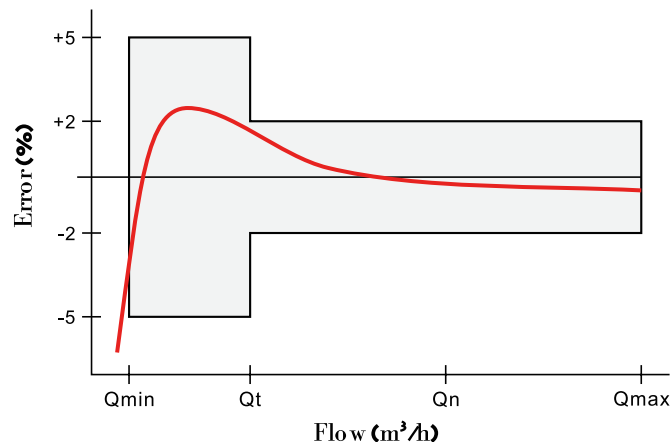


Dimension picture



- **DN150~DN300:** there are two eyebolts fixed in the flange cover.
- **DN400~DN500:** there are two eyebolts fixed both in the flange cover and the flange ends of the meter body.
- **Nominal diameter and arrow are indicated on the both sides of the meter body.**
- **The height «G» is necessary for removing the measuring element.**

Accuracy Curve



Main Technical Data

Nom inal di am eter	DN	50	65	80	100	125	150	200	250	300	400	500
Maximum flow rate m ³ /h	Qmax	30	50	80	120	200	300	500	800	1200	2000	3000
Nominal flow rate m ³ /h	Qn	15	25	40	60	100	150	250	400	600	1000	1500
Transition flow rate m ³ /h	Qt	3.0	5.0	8.0	12	20	30	50	80	120	200	300
Minimum flow rate m ³ /h	Qmin	0.45	0.75	1.2	1.8	3.0	4.5	7.5	12	18	30	45
Maximum reading m ³		999999.999					999999.99			99999999.9		
Minimum reading m ³		0.001					0.01			0.1		

- **Maximum Permissible Error:**
In the lower zone from Qmin inclusive up to but excluding Qt is ± 5%
In the upper zone from Qt inclusive up to and including Qmax is ± 2% (cold potable water meter).
In the upper zone from Qt inclusive up to and including Qmax is ± 3 % (hot water meter).

Dimensions and Weights

No mi nal di am e ter(PN1 6)	DN	50	65	80	100	125	150	200	250	300	400	500	
Length mm	L	200	200	225	250	250	300	350	450	500	600	800	
Height mm	H	256	266	276	286	299	345.5	372.5	493	516	631	737	
Height mm	G	400	400	400	400	400	500	500	730	730	830	931	
Outside diameter mm	D	165	185	200	220	250	285	340	395	445	565	670	
Circle diameter mm	D ₁	125	145	160	180	210	240	295	350	400	515	620	
Connecting bolt quantity	nXM	4xM16			8xM16			8xM20		12xM20		16xM24	20xM24
Meter weight Kg		12	13	16	18	20	42	64	94	114	199	340	

No mi nal di am e ter(PN1 6)	DN	50	65	80	100	125	150	200	250	300	400	500	
Height mm	H	256	266	276	286	299	345.5	375.5	494	521	638.5	762.5	
Height mm	G	400	400	400	400	400	500	500	730	730	830	931	
Outside diameter mm	D	165	185	200	220	250	285	340	405	460	580	715	
Circle diameter mm	D ₁	125	145	160	180	210	240	295	355	410	525	650	
Connecting bolt quantity	nXM	4xM16			8xM16			8xM20	12xM20	12xM24		16xM27	20xM30

